

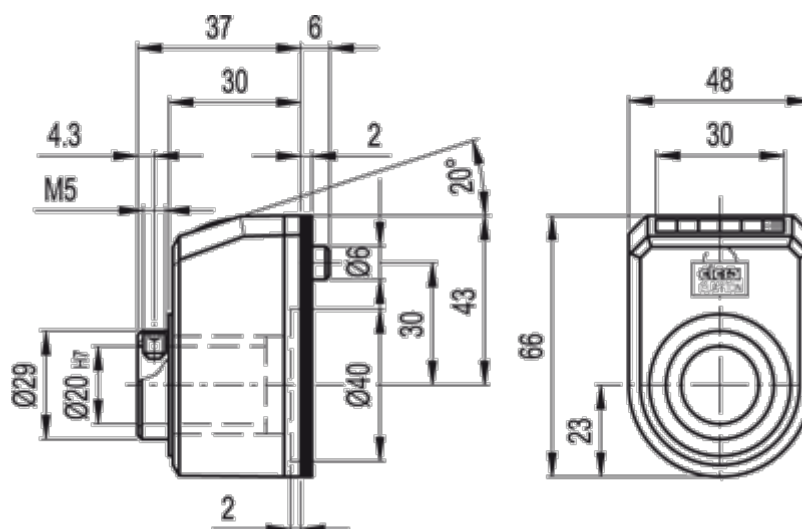
Data Sheet



Article number: 2307082794

Description: E+G Direct drive position indikator
DD52R-AR-0010.0-S-C2 (Orange)

Measures



Max rpm = 250